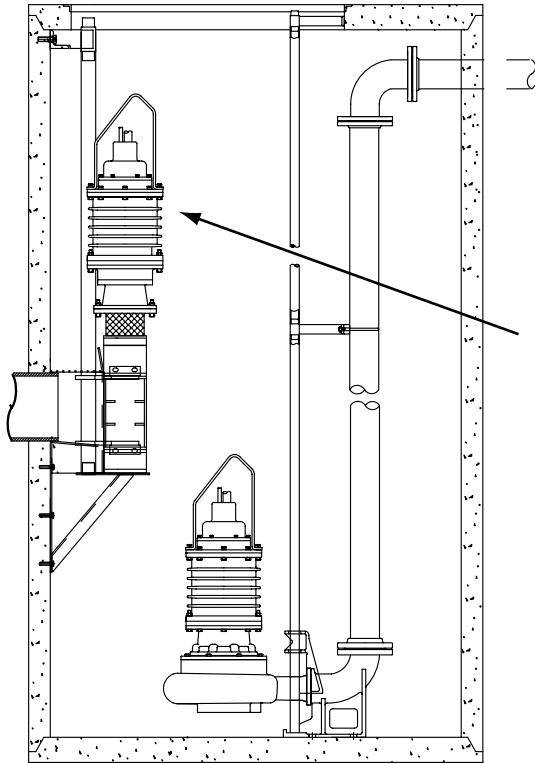


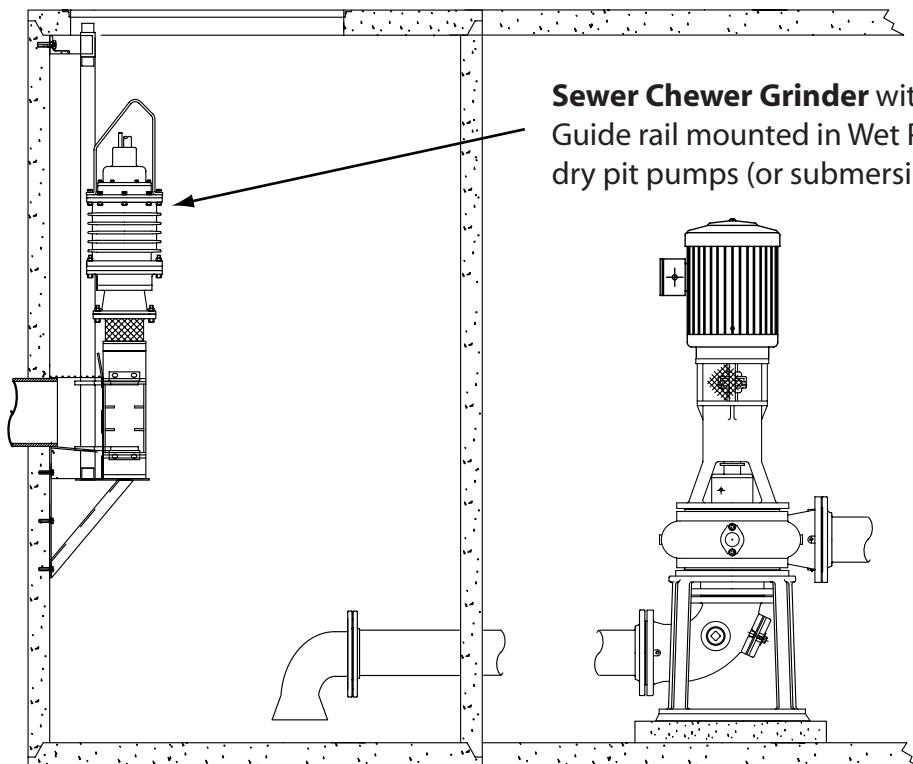


Application Advantage..... Sewer Chewer grinder with optional *Explosion-Proof* submersible motor !

Standard model series "CC" grinder with optional FM listed explosion proof submersible motor, wet well basket frame and guiderail system. Refer to drawing # 109006 for installation details and applicable grinder models.



Sewer Chewer Grinder with optional submersible (IP68) motor
Guide rail mounted in Wet Pit with submersible sewage pumps



Sewer Chewer Grinder with optional submersible (IP68) motor
Guide rail mounted in Wet Pit adjacent to Dry Pit with conventional
dry pit pumps (or submersible dry pit pumps)

NOTE - Yeomans Chicago Corp. also manufactures submersible and dry pit pumps. For "single source" responsibility, contact us for your complete pump and grinder system packages !