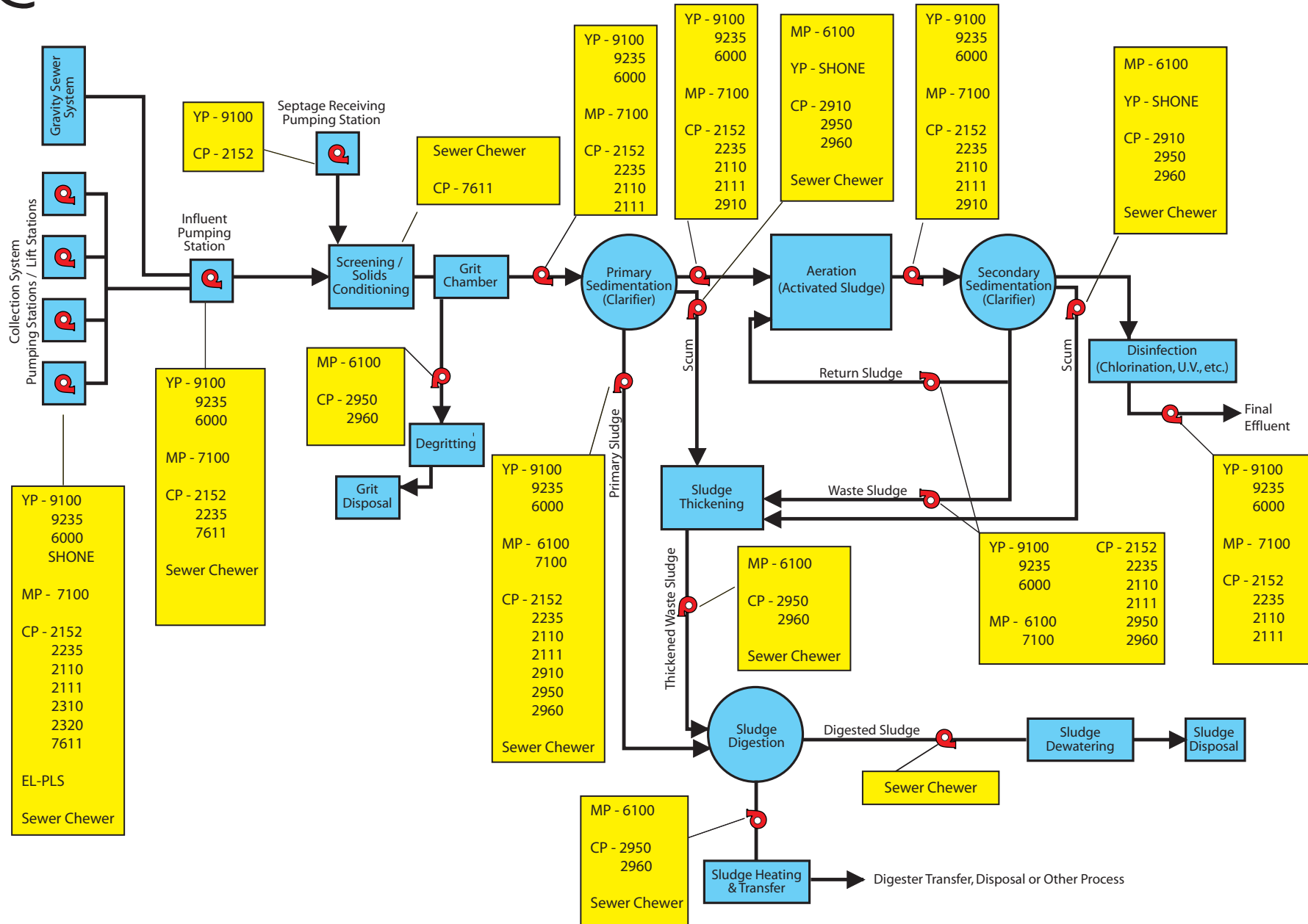




Typical Wastewater Treatment Plant Flow Diagram with YCC Product Applications



NOTE: For simplicity, the pump symbol  has been used to represent various YCC equipment types, including pumps, Comminutors and Sewer Chewer grinders.